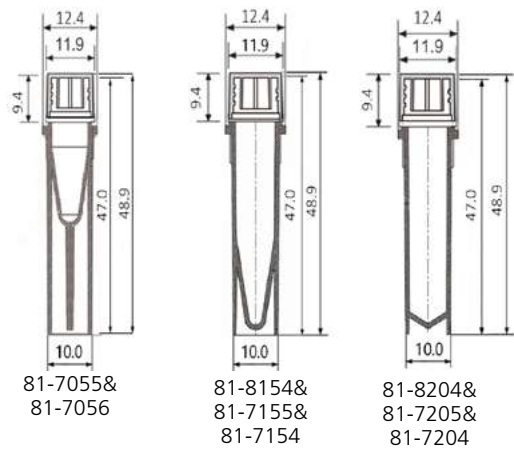




>> Features

- Made of medical grade polypropylene; Autoclavable
- Can be repeatedly frozen and thawed
- Universal screw threads for use; Self-standing bottom
- Tubes fit most common rotors and standard 2-inch boxes
- Radiation sterilization
- DNase & RNase free, endotoxin free, and human DNA free
- 81-8204 has a writing area and black graduation mark
- 81-8154 has a writing area and black graduation mark
- Autoclavable to 121 C and freezable to -86 C
- OEM service is available



Dimensions=mm



Cat #	Volume	Color	Height (mm)	Bottom	Writing Area	Sterile	Unit	Total
81-7055	0.5ml	Brown	47.0	Self-Standing	No	Yes	50 /Bag, 10 Bags/Pack, 4 Packs/Case	2000 /Case
81-7056	0.5ml	Clear	47.0	Self-Standing	No	Yes	50 /Bag, 10 Bags/Pack, 4 Packs/Case	2000 /Case
81-8154	1.5ml	Clear	47.0	Self-Standing	Yes	Yes	50 /Bag, 10 Bags/Pack, 4 Packs/Case	2000 /Case
81-7155	1.5ml	Brown	47.0	Self-Standing	No	Yes	50 /Bag, 10 Bags/Pack, 4 Packs/Case	2000 /Case
81-7205	2.0ml	Brown	47.0	Self-Standing	No	Yes	50 /Bag, 10 Bags/Pack, 4 Packs/Case	2000 /Case
81-8204	2.0ml	Clear	47.0	Self-Standing	Yes	Yes	50 /Bag, 10 Bags/Pack, 4 Packs/Case	2000 /Case
81-7154*	1.5ml	Clear	47.0	Self-Standing	No	Yes	50 /Bag, 10 Bags/Pack, 4 Packs/Case	2000 /Case
81-7204*	2.0ml	Clear	47.0	Self-Standing	No	Yes	50 /Bag, 10 Bags/Pack, 4 Packs/Case	2000 /Case

* No printing: 81-7154, 81-7204-MOQ required.